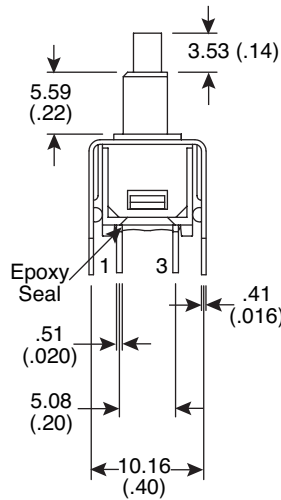
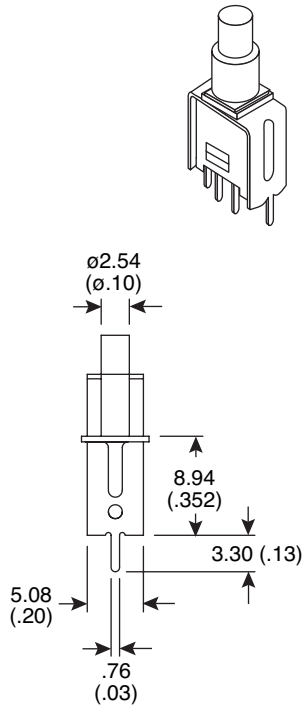
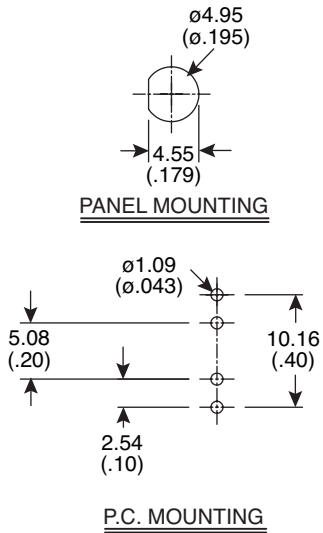


Dimensions: mm (In.)



|        |        |
|--------|--------|
| POS. 1 | POS. 2 |
|        |        |
| OFF    | MOM    |
| OPEN   | 1-3    |
|        |        |

SWITCH FUNCTION



**Electrical Specifications:**

- Rating: 1/250VAC, 3/120VAC or 28 VDC
- Contact Resistance: 20mΩmax. initial @ 2-4VDC 100mA
- Insulation Resistance: 1,000MΩmin.
- Dielectric Strength: 1,000 V RMS@ sea level

**Mechanical Specifications:**

- Mechanical Life: 60,000 make-and-break cycles
- Operating Temperature: -30°C to 85°C

**Note:**

- RoHS compliant by exemption

**Materials:**

- Case: Diallyl phthalate (DAP)
- Plunger: Thermoplastic Polyester-black
- Bushing: Brass, nickel plated
- Housing: Stainless steel
- Contact: Brass, silver or gold plated
- Terminal: Brass, Silver plated
- Terminal Support: Brass, electrotin plated

**Sub-Miniature Pushbutton Switch**  
107-3026-EVX

